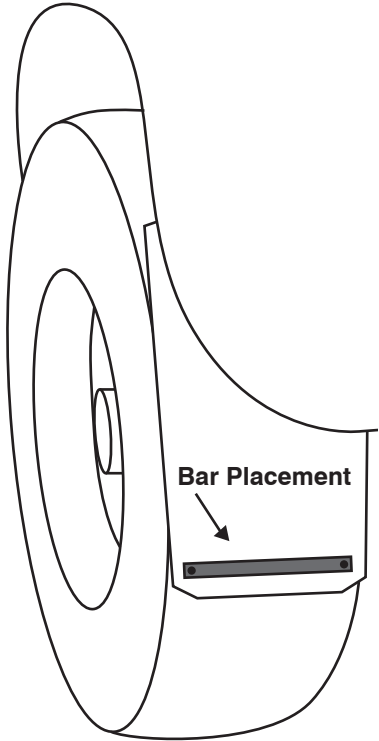


Fire&Ice Mudflap Kit

Installation Instructions



Step 1 - Prep the installation area by cleaning it with soapy water.

Step 2 - Using the LED bar as your guide, punch or drill 2 mounting holes into the mudflap on either side of the bar. You may also make a hole or slit for the wiring to feed through so that it is hidden from view.

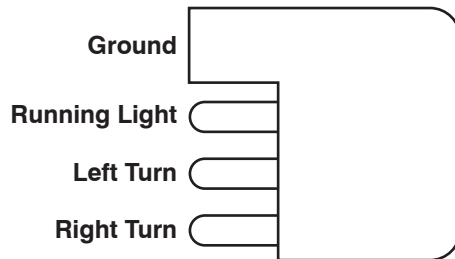
Step 3 - Use the included hardware to attach the LED bar to the mudflap. You may wish to apply RTV silicone to the back of the bar before you attach it to seal it to the mudflap.

Step 4 - Secure all wiring up and away from any moving parts or pinch points.

Step 5 - Plug in the 4-Pin plug into the trailer harness of your vehicle. (if you wish to hard-wire the kit, proceed to step 6)

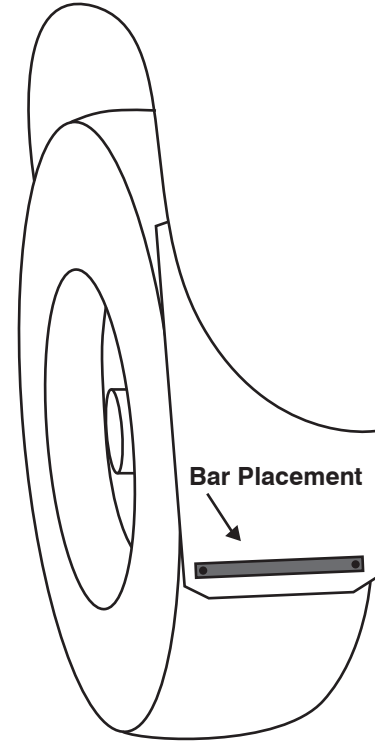
Step 6 - To hard-wire your kit, the easiest approach is to refer to the diagram below and cut the 4-Pin plug off and splice into the wiring behind your trailer harness.

If you do not have a 4 pin trailer harness, you will need to tap into the wiring for the lights on your vehicle. This method will be different for every vehicle, so refer to the pin diagram as to where to wire your Mudflap Kit.



Fire&Ice Mudflap Kit

Installation Instructions



Step 1 - Prep the installation area by cleaning it with soapy water.

Step 2 - Using the LED bar as your guide, punch or drill 2 mounting holes into the mudflap on either side of the bar. You may also make a hole or slit for the wiring to feed through so that it is hidden from view.

Step 3 - Use the included hardware to attach the LED bar to the mudflap. You may wish to apply RTV silicone to the back of the bar before you attach it to seal it to the mudflap.

Step 4 - Secure all wiring up and away from any moving parts or pinch points.

Step 5 - Plug in the 4-Pin plug into the trailer harness of your vehicle. (if you wish to hard-wire the kit, proceed to step 6)

Step 6 - To hard-wire your kit, the easiest approach is to refer to the diagram below and cut the 4-Pin plug off and splice into the wiring behind your trailer harness.

If you do not have a 4 pin trailer harness, you will need to tap into the wiring for the lights on your vehicle. This method will be different for every vehicle, so refer to the pin diagram as to where to wire your Mudflap Kit.

