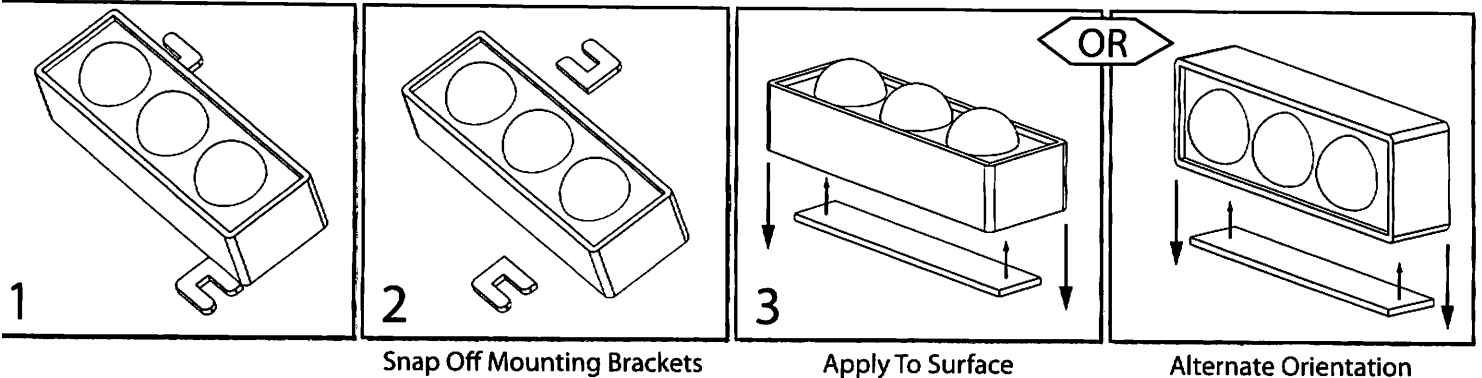


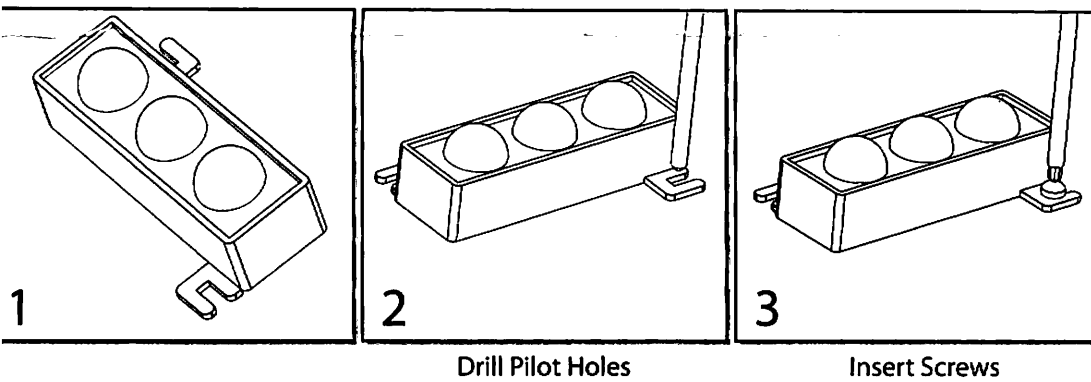
plasmaglow LED Illuminators

Installation Instructions

Mounting with adhesive strips:



Mounting with screws:



You may cut off the last plug on the strand and use it to make a waterproof connection at the beginning of the strand in case you ever need to disconnect the LED Pods at a later time.

Waterproof Connectors:

